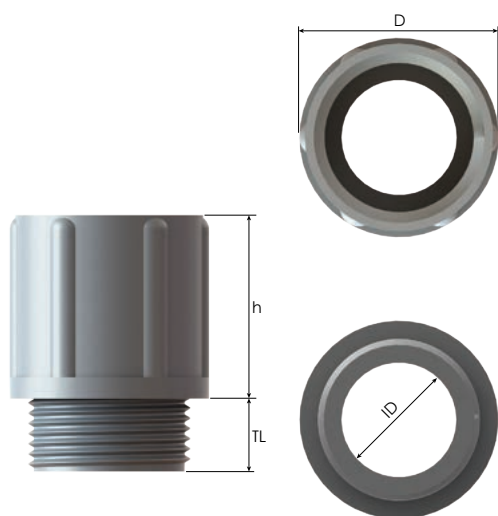


Straight Conduit Fittings Polyamide

Straight Conduit Fittings, Polyamide

- Halogen free.
- No toxic fumes when involved in a fire.
- For flexible spiral conduits.
- One side with standard metric or PG thread and special thread for conduit spiral on the other side.

Technical Details	
Material	Polyamide 6 Halogene free
Ingress Protection Rating	IP 54
Operating Temperature	Permanent
	-20 °C to +80 °C
Thread Type	Metric, according to EN 60423
	PG, according to DIN 40430
Accessories	• Lock nuts
Remarks	• We recommend the use of lock nuts to ensure IP rating for rough surfaces or through holes.
	• Accessories must be ordered separately.



Thread Type **METRIC** acc. to EN 60423

Outer Thread Size (Male)	For Conduit Nominal Size	Outer Thread Length TL mm	Outer Ø D mm	Inner Ø ID mm	Height h mm	Part Number	Minimum Order Quantity
						RAL 7001 grey	
M12x1,5	12,8	8,0	17,4	7,0	21,2	BCM-05	3000
M16x1,5	15,0	8,0	20,0	10,0	21,3	BCM-01	2000
M20x1,5	19,0	8,0	24,1	15,0	24,5	BCM-02	2000
	21,0	9,0	26,0	13,0	25,5	BCM-03	1000
M25x1,5	22,0	10,0	28,9	18,0	25,5	BCM-04	500
M32x1,5	28,3	11,0	38,0	27,0	27,5	BCM-05	500
M40x1,5	36,4	11,0	46,2	31,5	32,5	BCM-06	250
M50x1,5	46,2	14,0	56,2	40,5	39,8	BCM-07	250
M63x1,5	57,0	14,0	69,7	51,0	43,5	BCM-08	250

Thread Type **PG** acc. to DIN 40430

Outer Thread Size (Male)	For Conduit Nominal Size	Outer Thread Length TL mm	Outer Ø D mm	Inner Ø ID mm	Height h mm	Part Number	Minimum Order Quantity
						RAL 7001 grey	
PG 7	12,8	8,0	17,4	7,0	21,2	BCF-01	3000
PG 9	15,0	8,0	20,0	10,0	21,3	BCF-02	2000
PG 11	19,0	8,0	24,0	13,5	24,5	BCF-03	2000
PG 13,5	21,0	9,0	25,9	14,5	25,3	BCF-04	1500
PG 16	22,0	10,0	28,9	16,0	25,5	BCF-05	750
PG 21	28,3	11,0	38,0	21,5	27,5	BCF-06	500
PG 29	36,4	11,0	46,2	31,5	32,4	BCF-07	500
PG 36	46,2	14,0	56,2	41,0	39,9	BCF-08	250
PG 48	57,0	14,0	69,7	51,0	43,3	BCF-10	10